

Project:	
Type:	
Catalog #:	



Premium with Fleur-de-lis Finial

Deluxe with Spear Finial

Standard with Spear Finial

**CAPS:** Decorative Spun Aluminum Cap with Black Powdercoat Finish.

**FINIAL:** Finals Have Spun Aluminum Base with Cast Aluminum Fleur-De-Lis or Spear.

**LENS:** LexaLite Lindy Prismatic Acrylic Globes, Type III or Type V, with 9" Neck.

**DECORATIVE BANDS:** Stamped and Formed Heavy Duty Aluminum Clamp Bands with Black Powdercoat Finish. Available as Standard Clamp Band, Deluxe Clamp Band with Decorative Band, or Premium Clamp Band with Decorative Band with Three Decorative Supports. Black Powdercoat Finish. Includes Black Oxide Mounting Hardware.

**HOUSING:** PFCN50 Sand Cast Aluminum Housing, Black Powdercoat Finish. Includes Mounting Hardware.

**LISTING AND RATINGS:** CSA: Listed for Wet Locations, ANSI/UL 1598, 8750 IP66 Sealed LED Compartment.

**MOUNTING:** Accommodates 3" Poles or Tenons

**LED:** Delivered Lumens: 5,411 (F, Type III)  
CRI: 80+; CCT: 4000K  
Rated Life: 50,000 Hours  
Aluminum Boards; Array has IP67 rating

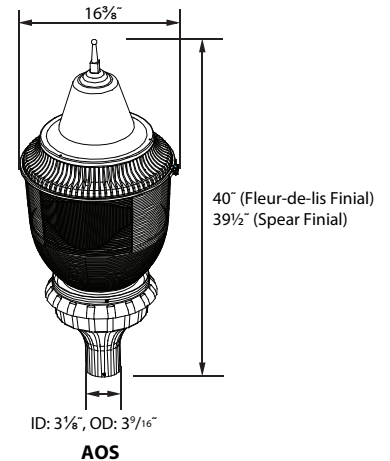
**WATTAGE:** 37w Array: 37w; System: 41w;  
65w Array: 65.1w; System: 72w;  
85w Array: 84w; System: 92.7w

AOS SERIES		
Catalog #	Description	
<b>Complete Heads</b>		
<b>Ordering Information</b>		
AOS	<b>Model:</b>	AOS
P	<b>Style:</b>	S=Standard, D=Deluxe, P=Premium
3	<b>Globe:</b>	3=Type III, 5=Type V
F	<b>Finial</b>	F=Fleur-de-lis, S=Spear
Q	<b>LED Mfr:</b>	Q
F	<b>Optics:</b>	F=Type V
1X	<b>Number of Modules:</b>	1X=One
84	<b>Wattage:</b>	37=37w, 65=65w, 84=84w
LV	<b>Ballast:</b>	LV=120-277V
4K	<b>CCT:</b>	4K=4000K
B	<b>Color:</b>	B=Black
SF	<b>Options:</b>	SF=Single Fuse, DF=Double Fuse, S2=Microwave Sensor with Dimming for Mounting Heights of 8' to 40', S4=Microwave On/Off Motion Sensor for Mounting Heights of 8' to 19'

Model	Gross EPA	Drag EPA	Net EPA
AOS Models w/ Fitter	2.44	1.22	1.59
PADAB Dual Arm	1.42	0.71	0.92

**Gross EPA** - Square Feet of Vertical Plane Surface  
**Drag EPA** - Gross EPA Adjusted for Drag Factor (.5)  
**NET EPA** - Drag EPA x Safety Factor of 1.3

**EPA'S ARE APPROXIMATE, SPECIFIC TO LOCATION AND LOCAL CODES. CONSULT ENGINEER FOR SPECIFIC APPLICATION**



**DRIVER:** Electronic Driver, 120-277V, 50/60Hz; Less Than 20% THD and PF>0.90. Standard Internal Surge Protection 6kV. 0-10V Dimming Standard for a Dimming Range of 100% to 10%; Dimming Source Current is 150 Microamps.

**CONTROLS:** Fixtures Ordered with Factory-Installed Photocell or Motion Sensor Controls are Internally Wired for Switching and/or 1-10V Dimming Within the Housing. Remote Direct Wired Interface of 1-10V Dimming is Not Implied and May Not Be Available, Please Consult Factory. Fixtures are Tested with Controls and May Not Function Properly With Controls Supplied By Others. Fixtures are NOT Designed for Use with Line Voltage Dimmers.

**WARRANTY:** 5-Year Warranty for -40°C to +40°C Environment. Custom Colors Available Upon Request.

Catalog #	Description
A	Decorative Fleur-de-lis Finial with Spun Aluminum Base and Cast Aluminum Finial. Black Powdercoat Finish, 1/4" IP (1/2" OD) Threaded Mounting Rod.
B	Decorative Spear Finial with Spun Aluminum Base and Cast Aluminum Finial. Black Powdercoat Finish, 1/4" IP (1/2" OD) Threaded Mounting Rod.
C	Dual Head Decorative Pole Arm, Aluminum with Black Powdercoat Finish, Fits 3" Tenon, Includes Stainless Steel Hardware. Accepts 3" Diameter Fitters. 13" High x 43" Overall Width.
D	Single Decorative Wall Mount Bracket, Aluminum with Black Powdercoat Finish, Includes Stainless Steel Hardware. Accepts 3" Diameter Fitters. 10" High x 15" Overall Length.
E	9" Neck Ring. Used to Prevent Neck Cracking Caused by Over-Tightening Screws During Installation.
F	Two-Piece Decorative Wrap-Around Die Cast Aluminum Base, 24" High x 12" Diameter, Black Powdercoat Finish, Includes Stainless Steel Hardware.
G	16' High x 4" Diameter (11 Gauge) Fluted Aluminum Extruded Anchor Base Pole, Black Powdercoat Finish, Includes Stainless Steel Hardware.
H	22' High x 4" Diameter (11 Gauge) Fluted Aluminum Extruded Direct Burial Pole, Black Powdercoat Finish, Includes Stainless Steel Hardware.
I	Internal Microwave Sensor with Dimming for Mounting Heights of 8 to 40'. 120-277VAC, 50/60Hz.
J	Internally Mounted Microwave On/Off Motion Sensor for Mounting Heights of 8' to 19', 120-277VAC, 50/60Hz



A



B



C



D



E



F



G



H

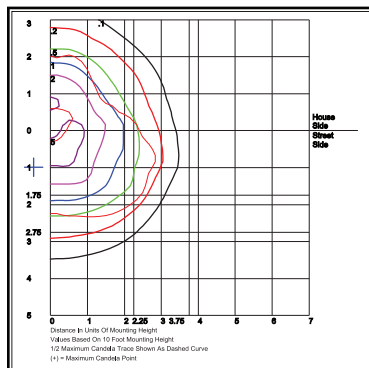
**CONTACT FME FOR COMPLETE SPECIFICATIONS AND EPA RATING**



I



J



**CAPS:** Decorative Spun Aluminum Cap with Black Powdercoat Finish.

**FINIAL:** Finals Have Spun Aluminum Base with Cast Aluminum Fleur-De-Lis or Spear.

**LENS:** LexaLite Lindy Prismatic Acrylic Globes, Type III or Type V, with 9" Neck.

**DECORATIVE BANDS:** Stamped and Formed Heavy Duty Aluminum Clamp Bands with Black Powdercoat Finish. Available as Standard Clamp Band, Deluxe Clamp Band with Decorative Band, or Premium Clamp Band with Decorative Band with Three Decorative Supports. Black Powdercoat Finish. Includes Black Oxide Mounting Hardware.

**HOUSING:** PFCN50 Sand Cast Aluminum Housing, Black Powdercoat Finish. Includes Mounting Hardware.

**LISTING AND RATINGS:** CSA: Listed for Wet Locations, ANSI/UL 1598, 8750 IP66 Sealed LED Compartment.

**POLE:** 4" O.D. x .120 (11 Gauge) Fluted Aluminum extruded poles in direct burial or Anchor Base Styles. Twin Head Models Include the PADAB Dual Head Pole Arm.

**BASE:** Two-Piece Wrap-Around Sand Cast Aluminum Base with Stainless Steel Hardware.

**LED:** Delivered Lumens: 5,411 (F, Type III)  
CR: 80+; CCT: 4000K  
Rated Life: 50,000 Hours  
Aluminum Boards; Array has IP67 rating

**WATTAGE:** 37w Array: 37w; System: 41w;  
65w Array: 65.1w; System: 72w;  
85w Array: 84w; System: 92.7w

**DRIVER:** Electronic Driver, 120-277V, 50/60Hz; Less Than 20% THD and PF>0.90. Standard Internal Surge Protection 6kV. 0-10V Dimming Standard for a Dimming Range of 100% to 10%; Dimming Source Current is 150 Microamps.

**CONTROLS:** Fixtures Ordered with Factory-Installed Photocell or Motion Sensor Controls are Internally Wired for Switching and/or 1-10V Dimming Within the Housing. Remote Direct Wired Interface of 1-10V Dimming is Not Implied and May Not Be Available, Please Consult Factory. Fixtures are Tested with Controls and May Not Function Properly With Controls Supplied By Others. Fixtures are NOT Designed for Use with Line Voltage Dimmers.

**WARRANTY:** 5-Year Warranty for -40°C to +40°C Environment. Custom Colors Available Upon Request.

### Bostonian Series - PB2

Catalog #	Description	
<b>Complete Units Ordering Information</b>		
<b>AOS</b>	<b>Model:</b>	AOS
<b>P</b>	<b>Style:</b>	S=Standard, D=Deluxe, P=Premium
<b>3</b>	<b>Globe:</b>	3=Type III, 5=Type V
<b>F</b>	<b>Finial</b>	F=Fleur-de-lis, S=Spear
<b>Q</b>	<b>LED Mfr:</b>	Q
<b>F</b>	<b>Optics:</b>	F=Type V
<b>1X</b>	<b>Number of Modules:</b>	1X=One
<b>84</b>	<b>Wattage:</b>	37=37w, 65=65w, 84=84w
<b>LV</b>	<b>Ballast:</b>	LV=120-277V
<b>4K</b>	<b>CCT:</b>	4K=4000K
<b>B</b>	<b>Color:</b>	B=Black
<b>2</b>	<b>Number of Heads:</b>	1=Single Head, 2=Dual Heads
<b>D</b>	<b>Pole:</b>	D=Direct Burial Pole, A=Anchor Base Pole
<b>24</b>	<b>Base:</b>	24=24" Base
<b>SF</b>	<b>Options:</b>	SF=Single Fuse, DF=Double Fuse, S2=Microwave Sensor with Dimming for Mounting Heights of 8 to 40', S4=Microwave On/Off Motion Sensor for Mounting Heights of 8' to 19'



Premium Twin Head, 24" Base

Premium Single Head, 24" Base

CONTACT FME FOR COMPLETE SPECIFICATIONS AND EPA RATING

Catalog #	Description
A	Decorative Fleur-de-lis Finial with Spun Aluminum Base and Cast Aluminum Finial. Black Powdercoat Finish, 1/4" IP (1/2" OD) Threaded Mounting Rod.
B	Decorative Spear Finial with Spun Aluminum Base and Cast Aluminum Finial. Black Powdercoat Finish, 1/4" IP (1/2" OD) Threaded Mounting Rod.
C	Dual Head Decorative Pole Arm, Aluminum with Black Powdercoat Finish, Fits 3" Tenon, Includes Stainless Steel Hardware. Accepts 3" Diameter Fitters. 13" High x 43" Overall Width.
D	Single Decorative Wall Mount Bracket, Aluminum with Black Powdercoat Finish, Includes Stainless Steel Hardware. Accepts 3" Diameter Fitters. 10" High x 15" Overall Length.
E	9" Neck Ring. Used to Prevent Neck Cracking Caused by Over-Tightening Screws During Installation.
F	Two-Piece Decorative Wrap-Around Die Cast Aluminum Base, 24" High x 12" Diameter, Black Powdercoat Finish, Includes Stainless Steel Hardware.
G	16' High x 4" Diameter (11 Gauge) Fluted Aluminum Extruded Anchor Base Pole, Black Powdercoat Finish, Includes Stainless Steel Hardware.
H	22' High x 4" Diameter (11 Gauge) Fluted Aluminum Extruded Direct Burial Pole, Black Powdercoat Finish, Includes Stainless Steel Hardware.
I	Internal Microwave Sensor with Dimming for Mounting Heights of 8 to 40'. 120-277VAC, 50/60Hz.
J	Internally Mounted Microwave On/Off Motion Sensor for Mounting Heights of 8' to 19', 120-277VAC, 50/60Hz



A



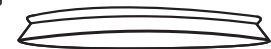
B



C



D



E



F



G



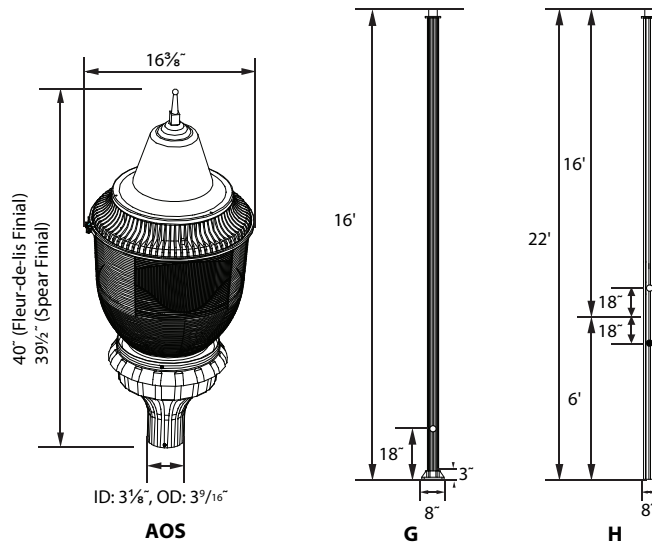
H



I



J



CONTACT FME FOR COMPLETE SPECIFICATIONS AND EPA RATING